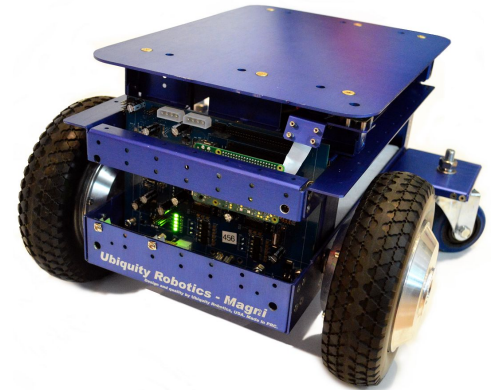
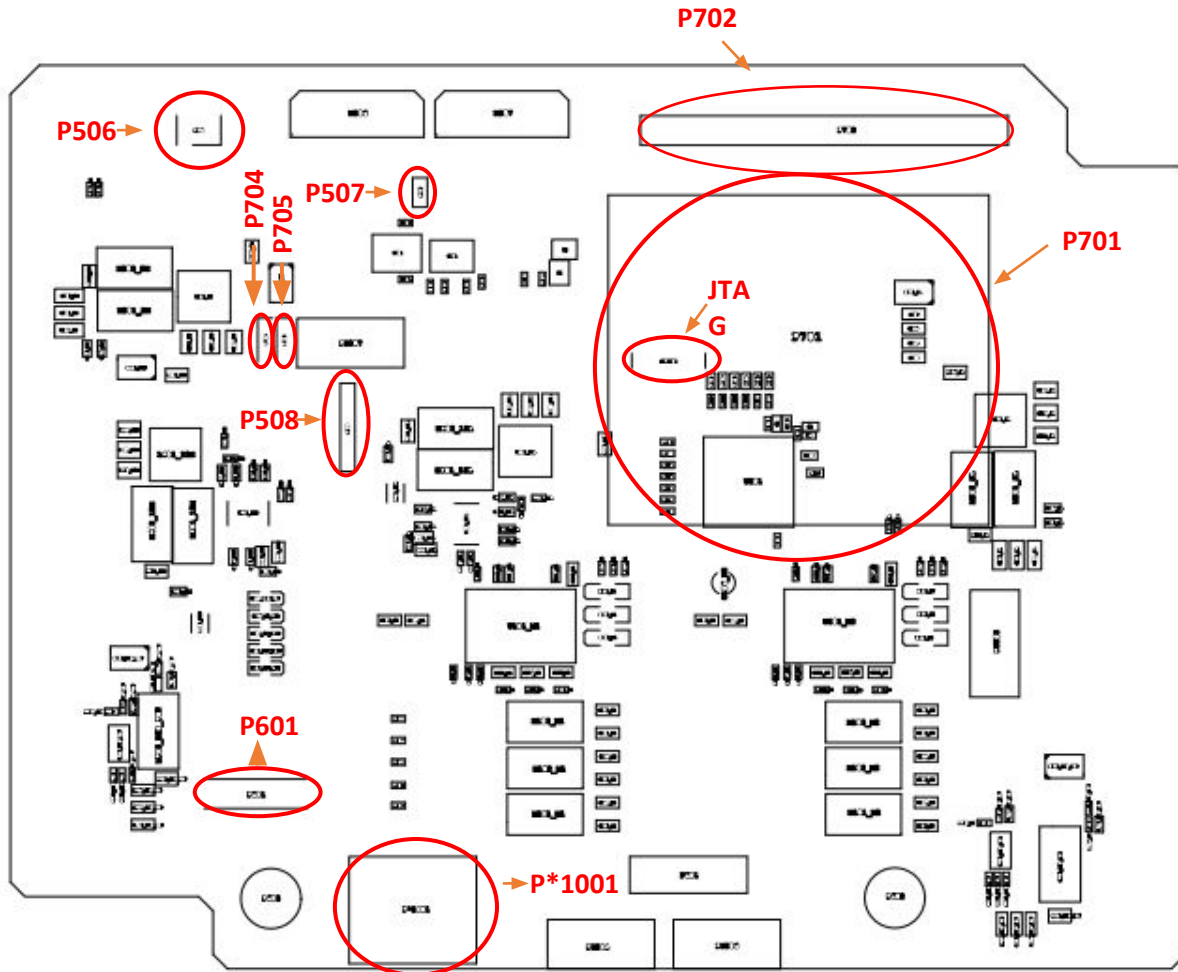


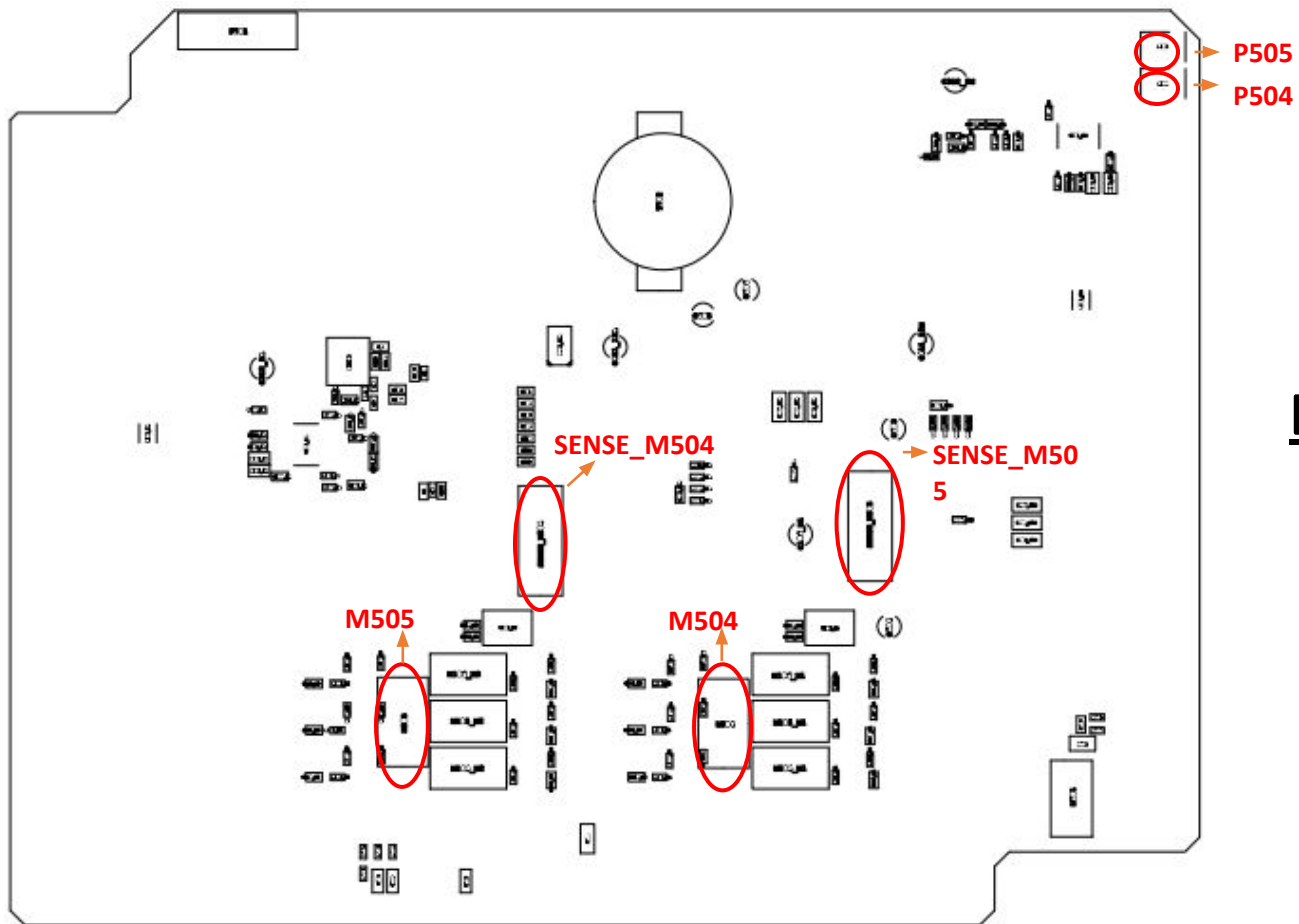
# Magni - Master Control Board Pinout

***Ubiquity Robotics***





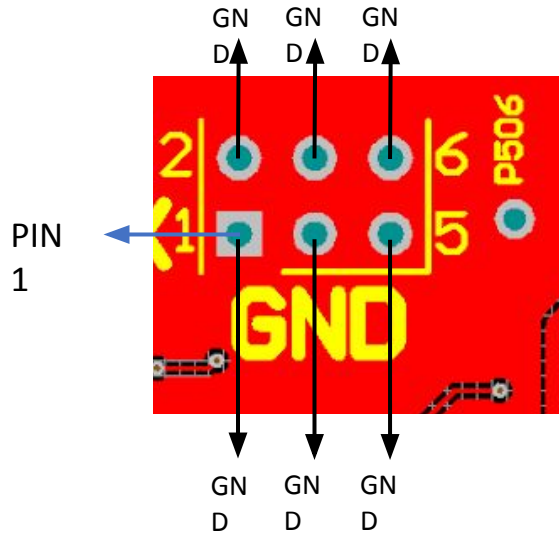
**FRONT**  
**SIDE**



## BACK SIDE

Front  
Side

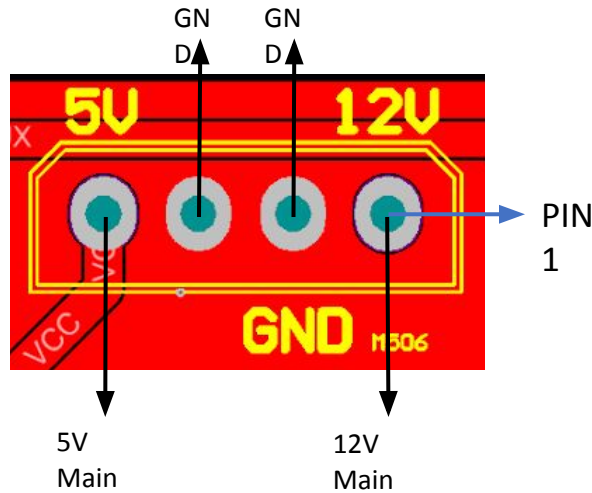
# Connector : P506



Pin Number	Pin Description
1	GND
2	GND
3	GND
4	GND
5	GND
6	GND

# Connector : M506

5V Main (Total 5V Main power 7A, up to 3A used by system 4A min. available to user) Regulated  
12V Main (Total 12V Main power 7A, up to 0.5A used by system 6.5A min. available to user)  
Regulated



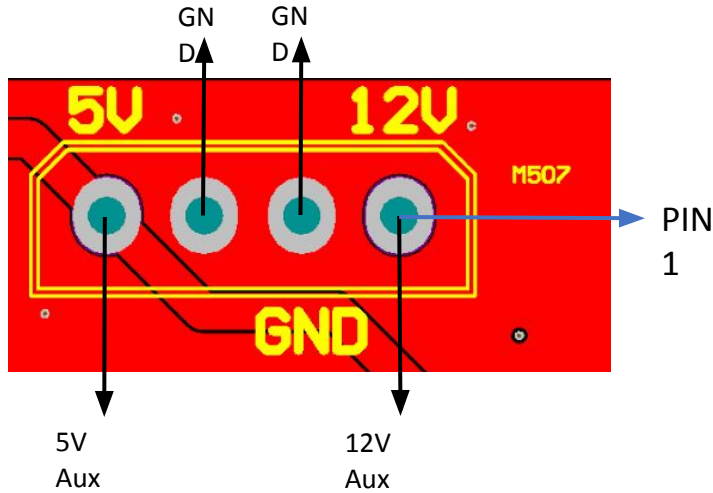
Pin Number	Pin Description
1	12V Main
2	GND
3	GND
4	5V Main

# Connector : M507

5V Aux (Total 5V Aux power 7A) Regulated

12V Aux (Total 12V Aux power 7A)

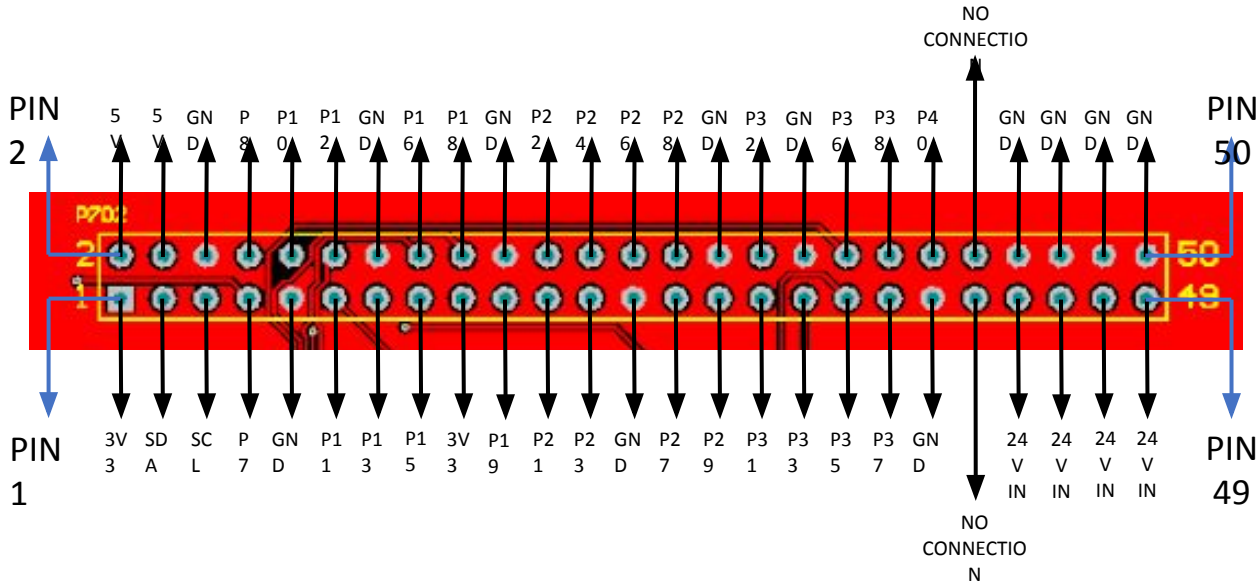
Regulated



Pin Number	Pin Description
1	12V Aux
2	GND
3	GND
4	5V Aux

# Connector : P702

24V Battery - 9A limited by pin - Unregulated  
 5V Main (Total 5V Main power 7A, up to 3A used by system 4A min. available to user) Regulated



Pin Number	Pin Description
1	3V3
2	5V
3	SDA
4	5V
5	SCL
6	GND
7	P7
8	P8
9	GND
10	P10
11	P11
12	P12
13	P13
14	GND
15	P15

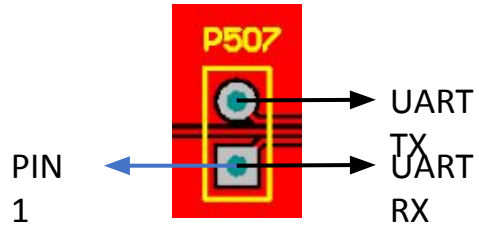


Pin Number	Pin Description
16	P16
17	3V3
18	P18
19	P19
20	GND
21	P21
22	P22
23	P23
24	P24
25	GND
26	P26
27	P27
28	P28
29	P29
30	GND

Pin Number	Pin Description
31	P31
32	P32
33	P33
34	GND
35	P35
36	P36
37	P37
38	P38
39	GND
40	P40
41	NOT CONNECT
42	NOT CONNECT
43	24V IN
44	GND
45	24V IN

Pin Number	Pin Description
46	GND
47	24V IN
48	GND
49	24V IN
50	GND

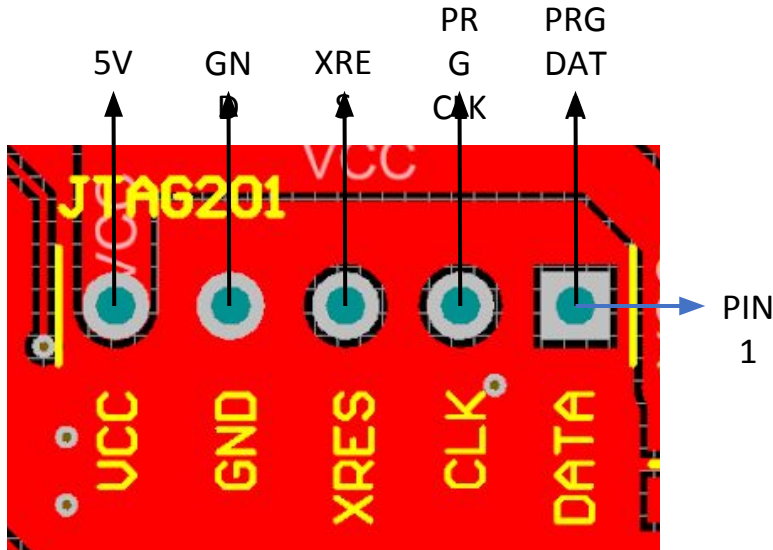
# Connector : P507



Pin Number	Pin Description
1	UART RX
2	UART TX

# Connector : JTAG201

5V Main (Total 5V Main power 7A, up to 3A used by system 4A min. available to user)  
Regulated



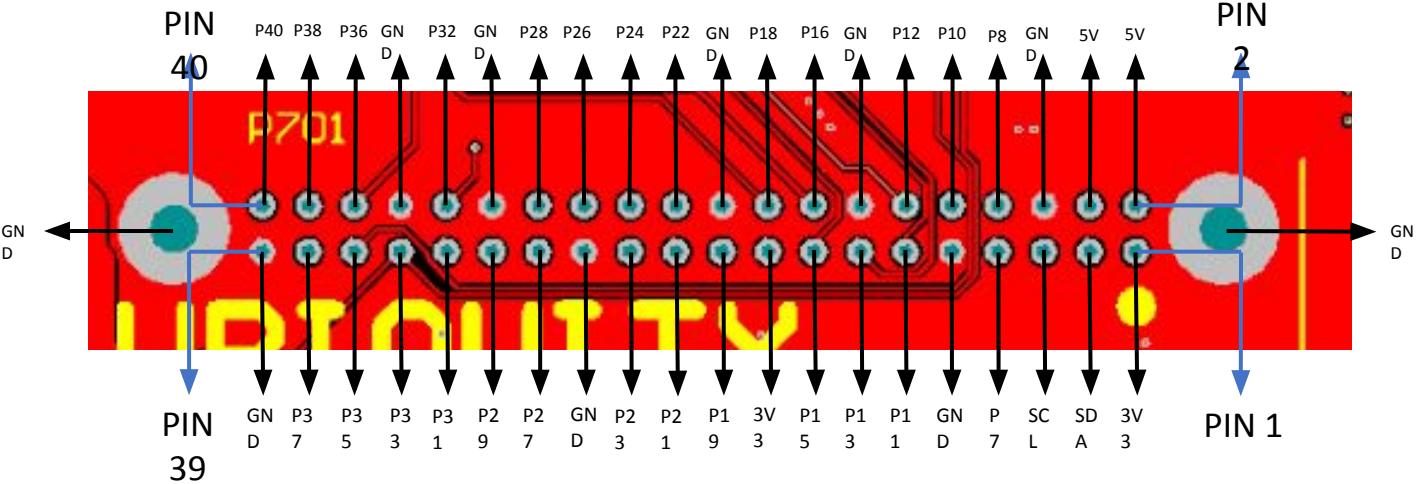
Pin Number	Pin Description
1	Program Data
2	Program Clock
3	XRES
4	GND
5	5V

# Connector : P701

Raspberry pi 3B+

header

5V Main (Total 5V Main power 7A, up to 3A used by system 4A min. available to user) Regulated

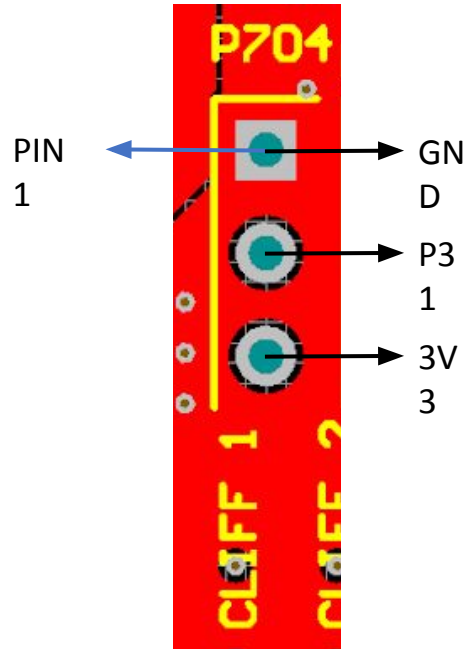


Pin Number	Pin Description
1	3V3
2	5V
3	SDA
4	5V
5	SCL
6	GND
7	P7
8	P8
9	GND
10	P10
11	P11
12	P12
13	P13
14	GND
15	P15

Pin Number	Pin Description
16	P16
17	3V3
18	P18
19	P19
20	GND
21	P21
22	P22
23	P23
24	P24
25	GND
26	P26
27	P27
28	P28
29	P29
30	GND

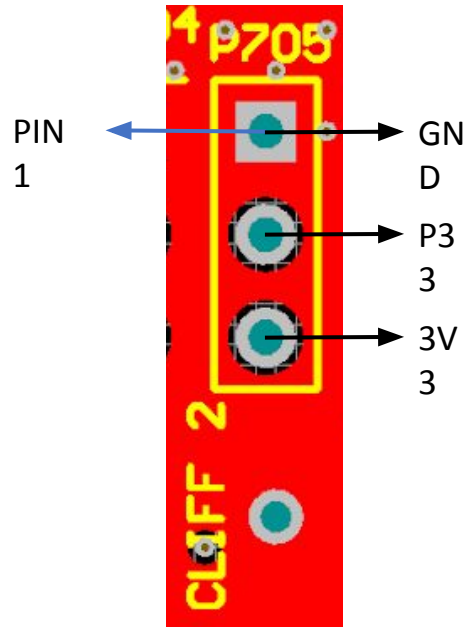
Pin Number	Pin Description
31	P31
32	P32
33	P33
34	GND
35	P35
36	P36
37	P37
38	P38
39	GND
40	P40

## Connector : P704



Pin Number	Pin Description
1	GND
2	P31
3	3V3

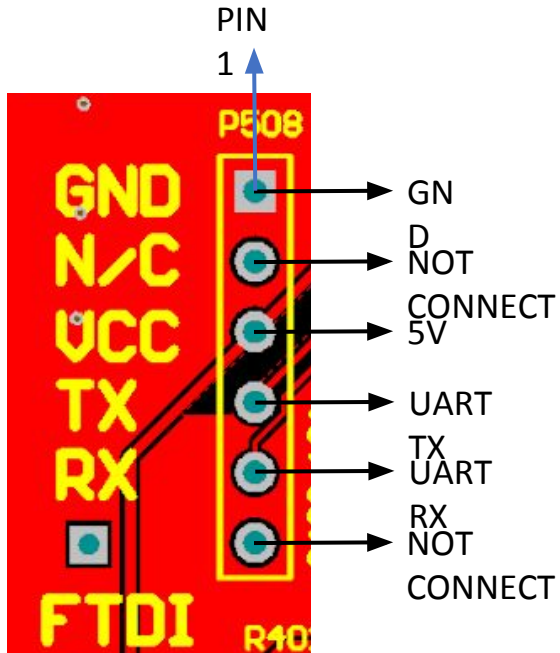
## Connector : P705



Pin Number	Pin Description
1	GND
2	P33
3	3V3

# Connector : P508

5V Main (Total 5V Main power 7A, up to 3A used by system 4A min. available to user)  
Regulated

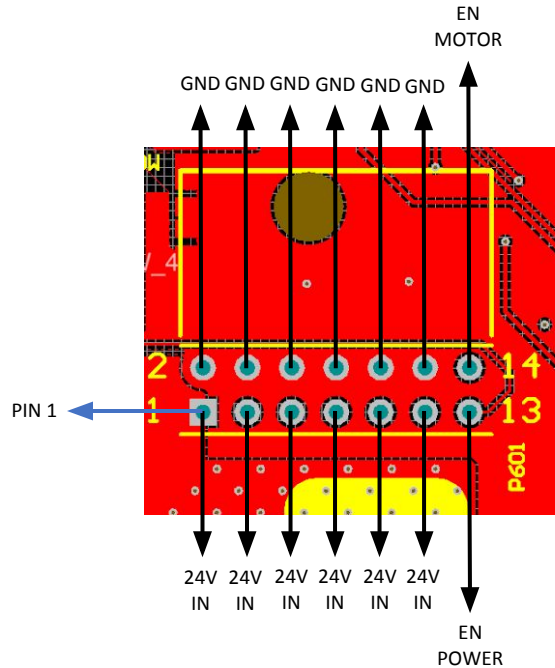


Pin Number	Pin Description
1	GND
2	NOT CONNECT
3	5V
4	UART TX
5	UART RX
6	NOT CONNECT



# Connector : P601

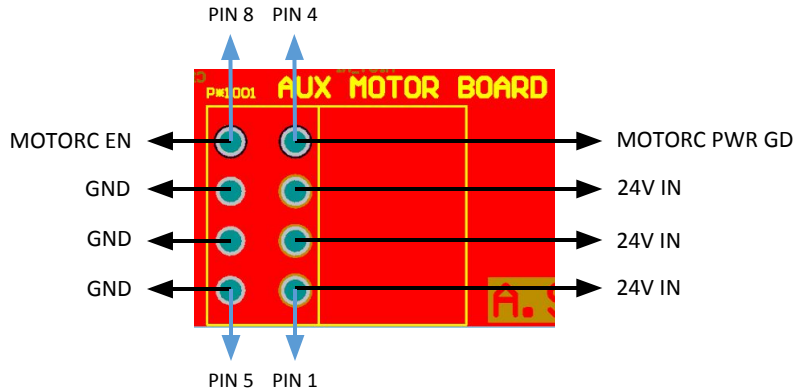
24V Battery - 9A limited by pin -  
unregulated



Pin Number	Pin Description
1	24V IN
2	GND
3	24V IN
4	GND
5	24V IN
6	GND
7	24V IN
8	GND
9	24V IN
10	GND
11	24V IN
12	GND
13	ENABLE POWER
14	ENABLE MOTOR

# Connector : P\*1001

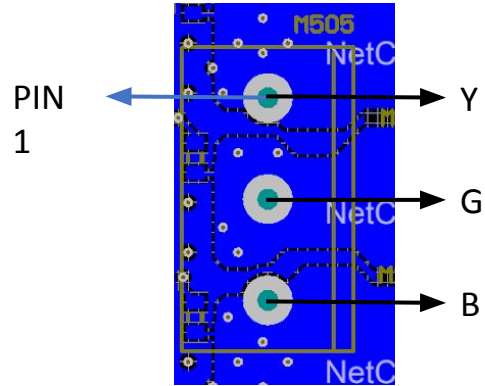
24V Battery - 9A limited by pin - unregulated



Pin Number	Pin Description
1	24V IN
2	24V IN
3	24V IN
4	MOTORC PWR GD
5	GND
6	GND
7	GND
8	MOTORC EN

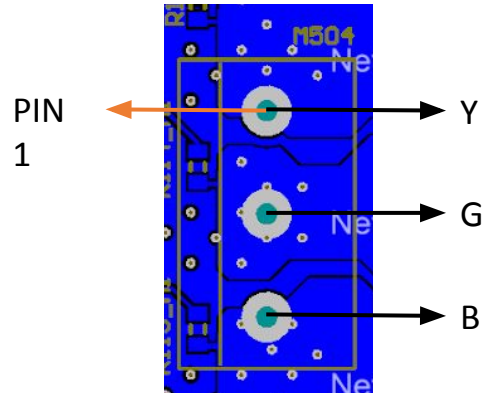
# Back Side

# Connector : M505



Pin Number	Pin Description
1	Y
2	G
3	B

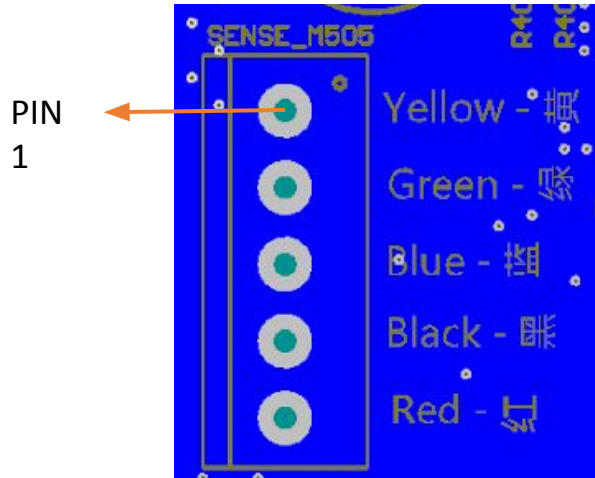
# Connector : M504



Pin Number	Pin Description
1	Y
2	G
3	B

## Connector : SENSE M505

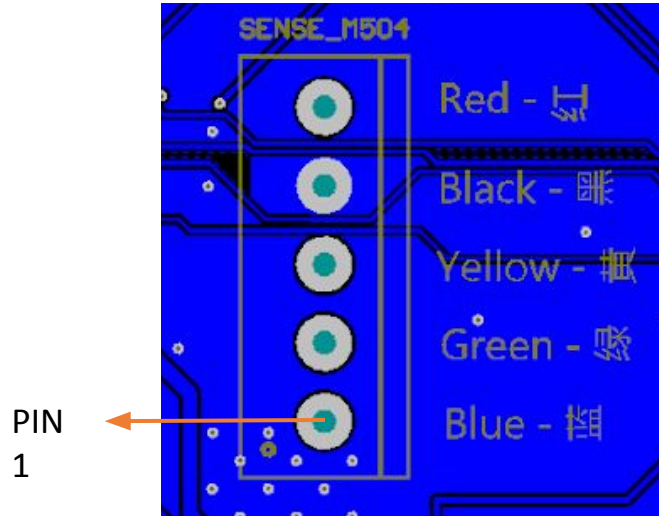
5V Main (Total 5V Main power 7A, up to 3A used by system 4A min. available to user)  
Regulated



Pin Number	Pin Description
1	Yellow
2	Green
3	Blue
4	Black
5	Red

## Connector : SENSE M504

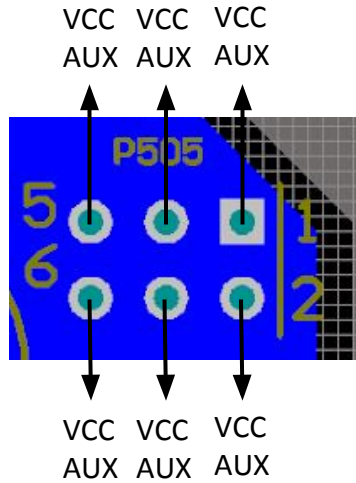
5V Main (Total 5V Main power 7A, up to 3A used by system 4A min. available to user)  
Regulated



Pin Number	Pin Description
1	Blue
2	Green
3	Yellow
4	Black
5	Red

# Connector : P505

5V Aux (Total 5V Aux power 7A)  
Regulated

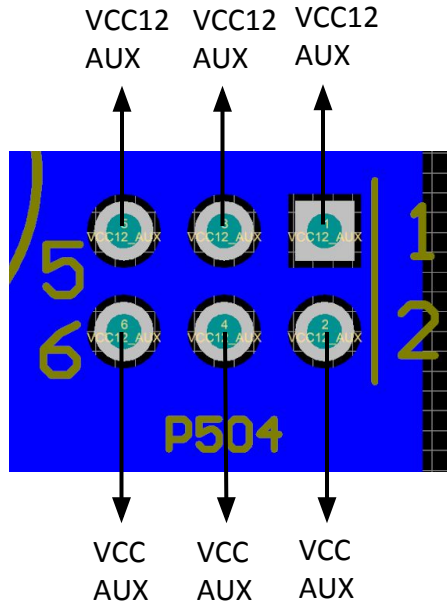


Pin Number	Pin Description
1	VCC AUX
2	VCC AUX
3	VCC AUX
4	VCC AUX
5	VCC AUX
6	VCC AUX



# Connector : P504

12V Aux (Total 12V Aux power 7A)  
Regulated



Pin Number	Pin Description
1	VCC12 AUX
2	VCC12 AUX
3	VCC12 AUX
4	VCC12 AUX
5	VCC12 AUX
6	VCC12 AUX

*For further questions go to:*

<https://forum.ubiquityrobotics.com/>

*or email:*

*contact@ubiquityrobotics.com*